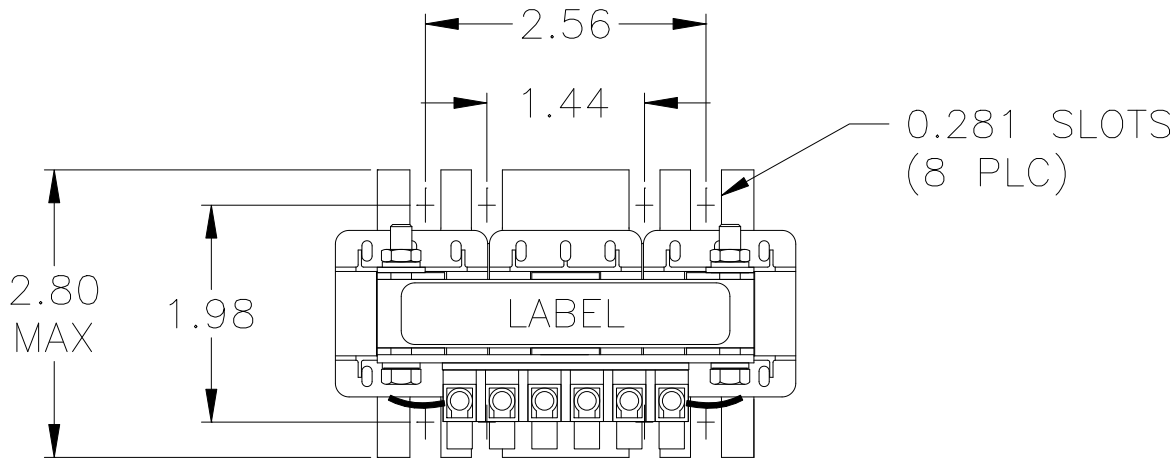


FILE: J:\CUSTDWG\CATRL\CD-00401

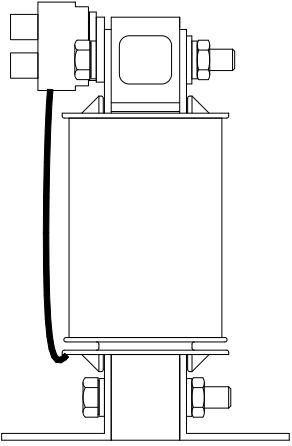
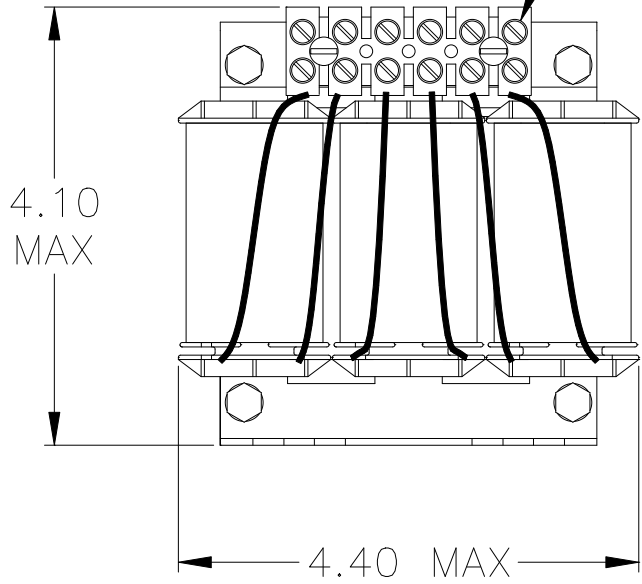
| | | |
|------------|------------|--------|
| INDUCTANCE | LOSSES | WEIGHT |
| 3 mH | 14.5 Watts | 4 Lbs |

| | | | | |
|-----|--------------------|----|------|-------|
| NO. | CHANGE DESCRIPTION | BY | DATE | C'K'D |
|-----|--------------------|----|------|-------|



WIRE RANGE: 22-10 AWG

CAUTION-TERMINAL SCREW TIGHTENING TORQUE: 4.5 in-lb. MAX.



UNLESS OTHERWISE SPECIFIED, DIMENSIONS ARE IN INCHES [mm] AND TOLERANCES ARE:

| | |
|--------|---------------|
| DECI. | FRAC. |
| ANGLES | DRILLED HOLES |

| | |
|--------------|-------------------|
| PART NAME: | 3-PHASE REACTOR |
| DESCRIPTION: | OUTLINE DIMENSION |
| FINISH: | |

| | | | |
|---|--------|------|----------------|
| MTE CORPORATION MENOMONEE FALLS, WISCONSIN | | | |
| RL-00401 | | | REV. 13 |
| SCALE | NTS | DATE | 11/7/97 |
| REF. | DR. BY | JJB | C'K'D APP'D |